

Model: A-L864

**Medium Intensity Red
LED Flashing Beacon**

Mechanical Specifications

Supplied with 3m (10ft) of fully shielded
3-conductor cable

Custom mounting options available upon
request

Electrical Specifications

Input Voltage: 115VAC/230VAC (nominal)
- user-selectable
(please specify when
ordering)

Frequency: 50 or 60 Hz

Environmental Specifications

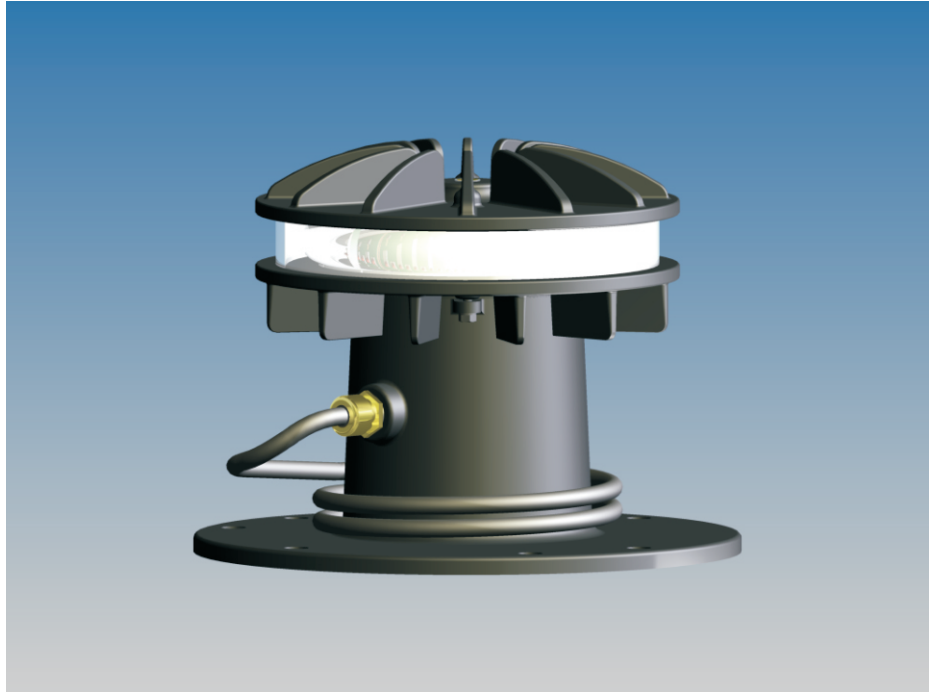
Temperature: -55°C to +55°C
(-67°F to 130°F)

Humidity: 95% Relative Humidity

Miscellaneous: Will withstand exposure to
wind-blown rain from any
direction.
Will withstand exposure to
salt-laden atmosphere.

Other Features

Integrated Flasher Assembly



The A-L864 Medium Intensity Red LED Flashing Beacon is designed to visibly mark any obstacle that may present hazards to aircraft navigation.

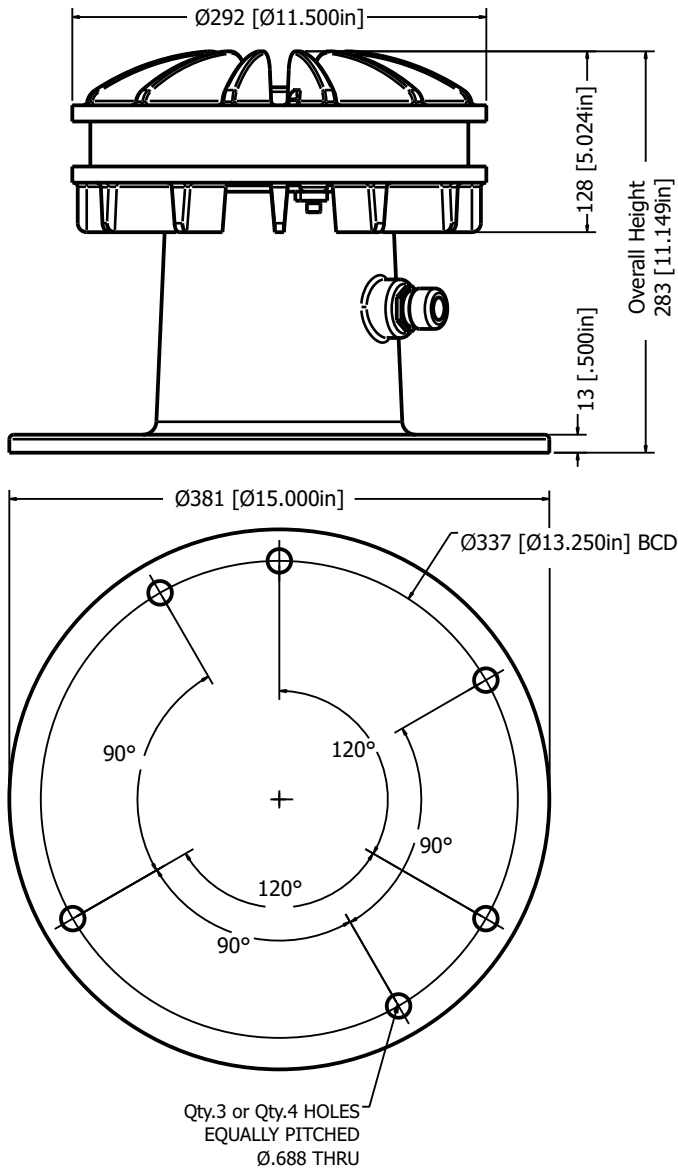
Benefits Offered by the Austin A-L864 Flashing Beacon

- RF-Hardened design suitable for operation in high-powered MF (medium frequency) to VLF (very low frequency) systems
- Direct replacement for existing incandescent or other light sources
- LED based beacon lasts up to 5 times longer than incandescent lamps
- LED based beacon utilizes up to 90% less power than incandescent lamps
- Constant light output that meets or exceeds regulatory requirements across input voltages $\pm 20\%$ of nominal
- Weather/corrosion resistant beacon assembly and housing
- Integrated flasher assembly allows stand-alone operation of single beacon assembly systems without the need for external controllers

Custom mounting options are available upon request.

A-L864 Flashing Red Beacon

Mechanical Specifications



Photometric Specifications

Meets or exceeds:

FAA AC No. 150/5345-43F

ICAO Annex 14

Transport Canada CAR 621.19

CASA Manual of Standards Part 139

Electrical Specifications

A-L864	Min.	Typ.	Max.
	100 V	115 V	130 V
115 V	1.23 A	1.06 A	0.94 A
	123 VA	122 VA	122 VA
	207 V	230 V	253 V
230 V	0.60 A	0.54 A	0.49 A
	124 VA	124 VA	123 VA

Connections:

- Prewired with fully shielded power cable containing qty.3 #14 AWG stranded wire (LINE, NEUTRAL, GROUND/SHIELD)

Please see installation instructions for wiring details

Mounting Detail

- Industry standard 3 or 4 hole mounting pattern (11/16" clearance holes on a 13 1/4" BCD)
- Other mounting options are available upon request

Weights and Measurements

Single Unit Packed Detail:

508mm x 508mm x 508mm

@ 18 kg

20" x 20" x 20"

@ 40 lb.

Materials:

- UV resistant Acrylic outer lens
- Aluminum housing
- Stainless Steel hardware

Head Office and Plant

Austin Insulators Inc.

7510 Airport Road

Mississauga, Ontario

CANADA L4T 2H5

Tel: (905) 405-1144; Fax: (905) 405-1150

E-mail: sales@austin-insulators.com